



ICON EQUIPMENT DISTRIBUTORS INC.
 300 RYDERS LANE, EAST BRUNSWICK, NJ 08816
 Ph: (800) 836-5011, Fax: (732) 254-0101

ICON-O-LITE MODULAR SHORING SYSTEM DEPTH RATINGS

MAXIMUM ALLOWABLE MODULAR SHIELD DEPTH "D" PER SOIL TYPES:

2 SIDED PANEL SYSTEM					
PANEL LENGTH	MODEL NO.	TYPE A	TYPE B	TYPE C-60	TYPE C-80
3'	DL-23	35'	30'	25'	20'
4'	DL-24	35'	30'	25'	20'
5'	DL-25	35'	30'	25'	20'
6'	DL-26	35'	30'	25'	20'
8'	DL-28	35'	30'	25'	20'
10'	DL-210	35'	28'	21'	15.5'
12'	DL-212	34'	18'	14'	10.5'
14'	DL-214	23'	13'	9.5'	7'

3 & 4 SIDED PANEL SYSTEM					
PANEL LENGTH	MODEL NO.	TYPE A	TYPE B	TYPE C-60	TYPE C-80
3'	DL-23	35'	30'	25'	20'
4'	DL-24	35'	30'	25'	20'
5'	DL-25	35'	30'	25'	20'
6'	DL-26	35'	30'	25'	20'
8'	DL-28	35'	30'	23'	17.5'
10'	DL-210	32'	18'	13.5'	10'
12'	DL-212	17.5'	9.5'	7'	5.5'
14'	DL-214	NOT TO BE USED AS 3 & 4 SIDED SYSTEM			

THE SOIL TYPE SHALL BE CLASSIFIED BY A COMPETENT PERSON PER FEDERAL OSHA CONSTRUCTION SAFETY ORDERS, CFR 29 APPENDIX A.

DEPTH RATINGS ACCOUNT FOR 72 PSF MINIMUM OSHA SURCHARGE.

REFER TO TABULATED DATA FOR USE LIMITATIONS, AND STRUT LOCATIONS.

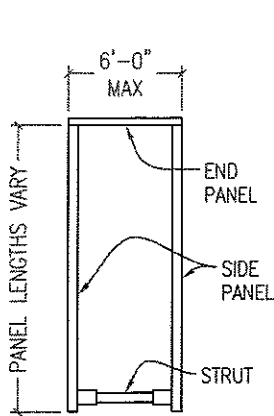
DHC
 D.H. CHARLES ENGINEERING, INC.
 119 Aberdeen Dr., Suite 8
 Cardiff, CA 92007
 Ph: (760) 436-9756 Fax: (760) 436-9757



ICON EQUIPMENT DISTRIBUTORS INC.
 300 RYDERS LANE, EAST BRUNSWICK, NJ 08816
 Ph: (800) 836-5011, Fax: (732) 254-0101

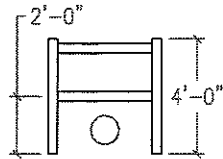
ICON-O-LITE MODULAR SHORING SYSTEM TABULATED DATA

TRENCH ELEVATIONS SHOWING STRUT LOCATIONS & ARRANGEMENT OF VERTICAL EXTRUSIONS

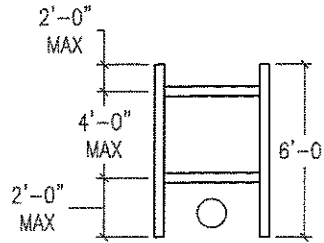


PLAN VIEW
 3-SIDED APPLICATION**

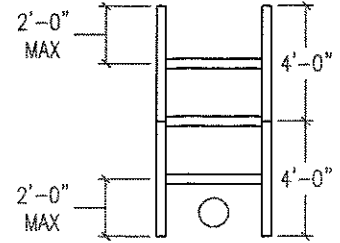
**CONTRACTOR RESPONSIBLE FOR PROVIDING LATERAL SUPPORT OF 3-SIDED PANEL SYSTEM THROUGH THE USE OF (E) SHORING EQUIPMENT OR SOIL.



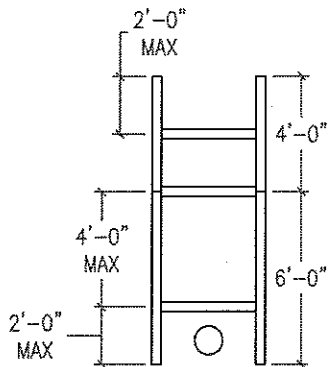
(1) 4'-0" PIECE
 4' TRENCH



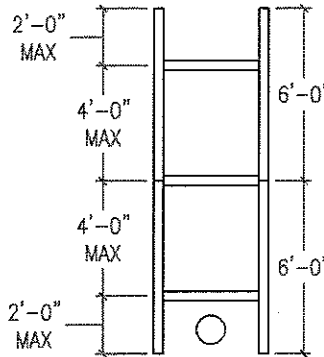
(1) 6'-0" PIECE
 6' TRENCH



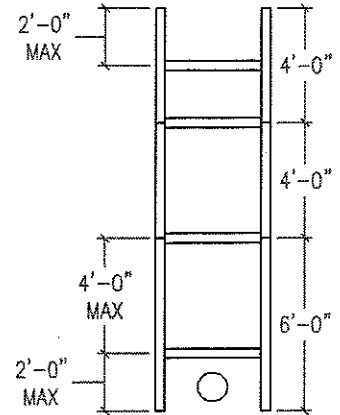
(2) 4'-0" PIECES
 8' TRENCH



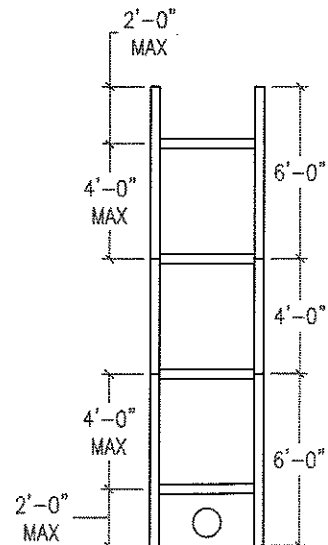
(1) 6'-0", (1) 4'-0" PIECES
 10' TRENCH



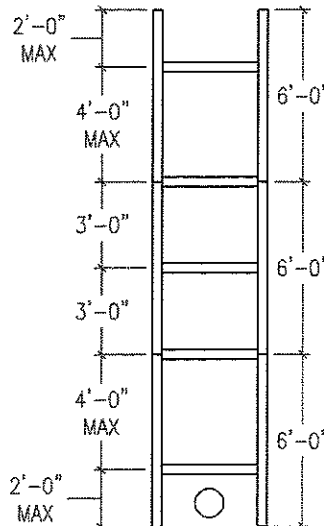
(2) 6'-0" PIECES
 12' TRENCH



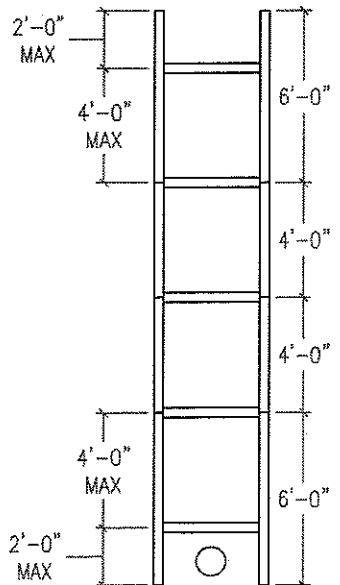
(1) 6'-0", (2) 4'-0" PIECES
 14' TRENCH



(2) 6'-0", (1) 4'-0" PIECES
 16' TRENCH



(3) 6'-0" PIECES
 18' TRENCH



(2) 6'-0", (2) 4'-0" PIECES
 20' TRENCH

DRAWING NO. DL-101