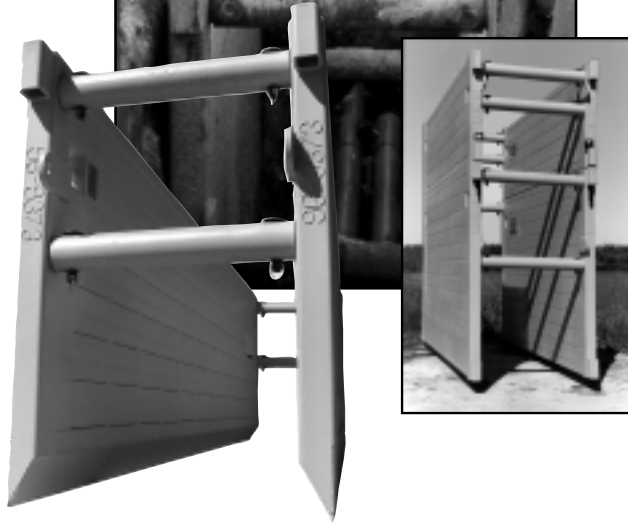


Tuff-Lite™ Shields

Speed Shore's innovative Tuff-Lite™ shield is one of the newest additions to the industry's most comprehensive line of trench shielding products. Its unique tubular design redefines lightweight, high-capacity shielding. Boasting the highest strength-to-weight ratio of any double-wall steel shield on the market, Tuff-Lite™ shields are built to last. These rugged, durable shields are designed especially for contractors and municipalities who utilize lighter excavators, but require higher capacities for deeper trenches or poor soil conditions.

Available in a full range of sizes and configurations, Speed Shore's Tuff-Lite™ shields offer a comprehensive array of standard features and options. Heavy-duty lifting and pulling eyes, replaceable push blocks, thru-wall spreader sockets and foam-filled walls are just a few of the many standard features. All spreaders are fully interchangeable and knife-edge bottoms are available as an option. Such features make Speed Shore trench shields the preferred choice for maximum productivity and safety in the trenches.



The High Strength "Lightweight".

- **Replaceable Top & Bottom Tubes**
protect your structure when pushing the shield to grade. Damaged tubes are readily replaced with *no modification to shield structure*.
- **Foam-Filled Walls**
prevent accumulation of water, dirt and debris.
- **Heavy-Duty Stacking Sockets**
assure proper alignment of stacked shields.
- **Thru-Wall Spreader Sockets**
penetrate end vertical supports for added strength and durability.
- **Easy-Access Lifting Pockets**
for ease of handling.
- **Heavy-Duty Pulling Eyes**
enable use of a sling to pull the shield, preventing damage to spreaders.
- **Certification Plate**
for quick reference to shield size, serial number and P.E.-Certified capacity.

SPEED  **SHORE**®
PIONEERING TRENCH SAFETY

Tuff-Lite™ Shields

4" Double-Wall

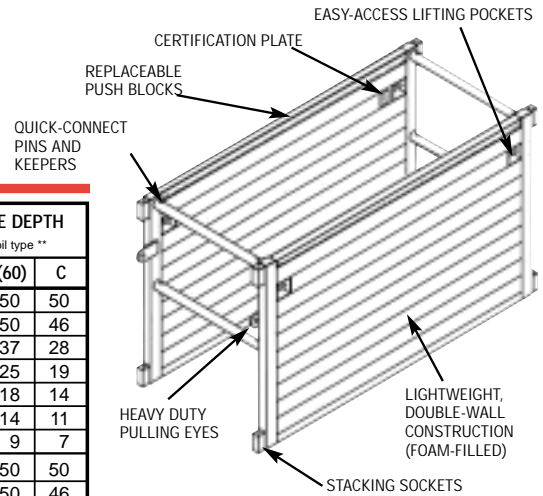
MODEL	DIMENSIONS		PIPE CLEARANCE (In.)	WEIGHT (Lbs.)	SHIELD CAPACITY (Psf.)	ALLOWABLE DEPTH (Ft.) by soil type **			
	H (Ft.)	L				A	B	C(60)	C
TS-0406-TL4	4	6	24	1480	6960	50	50	50	50
TS-0408-TL4	4	8	24	1775	3550	50	50	50	46
TS-0410-TL4	4	10	24	2065	2150	50	48	37	28
TS-0412-TL4	4	12	24	2355	1430	50	32	25	19
TS-0414-TL4	4	14	24	2650	1030	40	23	18	14
TS-0416-TL4	4	16	24	2940	770	29	17	14	11
TS-0420-TL4	4	20	24	3520	480	18	11	9	7
TS-0606-TL4	6	6	36	1980	4090	50	50	50	50
TS-0608-TL4	6	8	36	2390	3060	50	50	50	46
TS-0610-TL4	6	10	36	2795	2150	50	49	38	29
TS-0612-TL4	6	12	36	3205	1430	50	41	26	20
TS-0614-TL4	6	14	36	3615	1030	41	24	19	15
TS-0616-TL4	6	16	36	4020	770	30	18	15	12
TS-0620-TL4	6	20	36	4840	480	19	12	10	8
TS-0806-TL4	8	6	48	2480	1980	50	44	33	26
TS-0808-TL4	8	8	48	3010	1480	50	33	25	20
TS-0810-TL4	8	10	48	3530	1180	46	26	20	16
TS-0812-TL4	8	12	48	4055	980	38	22	17	13
TS-0814-TL4	8	14	48	4580	840	32	19	15	12
TS-0816-TL4	8	16	48	5100	740	28	17	13	11
TS-0820-TL4	8	20	48	6150	480	19	12	10	8

Flat bottoms are standard on all Tuff-Lite™ shields. Knife-Edge bottoms are an available option.

Psf = Pounds per square foot.

** Prior to use, refer to OSHA's 29 CFR, Part 1926 (subpart P) and Manufacturer's Tabulated Data for detailed explanation of soil types and product application. Type A soil not exceed 25 Psf per foot of depth; Type B soil not to exceed 45 Psf per foot of depth; Type C(60) soil not to exceed 60 Psf per foot of depth; Type C soil not to exceed 80 Psf per foot of depth.

Note: Allowable depths are limited to 50 feet for practical purposes. Contact Speed Shore for applications exceeding posted allowable depths.



Spreader Sets*

MODEL	DESCRIPTION	WEIGHT (Lbs.)
SPR5-024	24" (2') Spreaders	165
SPR5-030	30" (2.5') Spreaders	210
SPR5-036	36" (3') Spreaders	250
SPR5-042	42" (3.5') Spreaders	290
SPR5-048	48" (4') Spreaders	330
SPR5-054	54" (4.5') Spreaders	375
SPR5-060	60" (5') Spreaders	415
SPR5-072	72" (6') Spreaders	500
SPR5-084	84" (7') Spreaders	580
SPR5-096	96" (8') Spreaders	665
SPR5-108	108" (9') Spreaders	750
SPR5-120	120" (10') Spreaders	830
SPR5-132	132" (11') Spreaders	915
SPR5-144	144" (12') Spreaders	995

*Includes 4 spreaders per set.

Note: We strongly recommend the use of Pulling Eyes and certified slings when dragging shields in the trench. Lightweight 5" spreaders may be damaged if used to pull shields.

Pioneer of the World's Most Advanced Trench Safety Systems



Shoring Shields*

Vertical Shores

Water Systems

Excavation Braces

Modular Alum. Panel Systems

Aluminum Trench

Steel Trench Shields

Manhole Shields

Manguard Shields

Slide-Rail Systems

Mega-Shore Systems

Bedding Boxes

SPEED SHORE
PIONEERING TRENCH SAFETY

3330 S. SAM HOUSTON PKWY E. ■ HOUSTON, TEXAS 77047
(713) 943-0750 ■ FAX (713) 943-8483 ■ USA TOLL FREE: 1-800-231-6662
www.speedshore.com

Authorized Distributor