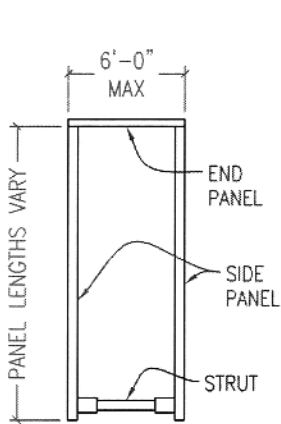




**ICON EQUIPMENT DISTRIBUTORS INC.**  
 300 RYDERS LANE, EAST BRUNSWICK, NJ 08816  
 Ph: (800) 836-5011, Fax: (732) 254-0101

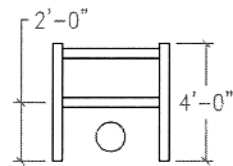
# ICON-O-LITE MODULAR SHORING SYSTEM TABULATED DATA

## TRENCH ELEVATIONS SHOWING STRUT LOCATIONS & ARRANGEMENT OF VERTICAL EXTRUSIONS

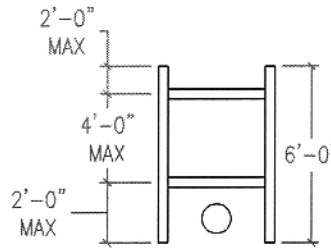


PLAN VIEW  
 3-SIDED APPLICATION\*\*

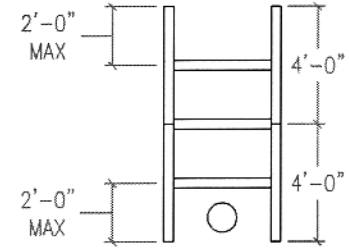
\*\*CONTRACTOR RESPONSIBLE FOR PROVIDING LATERAL SUPPORT OF 3-SIDED PANEL SYSTEM THROUGH THE USE OF (E) SHORING EQUIPMENT OR SOIL.



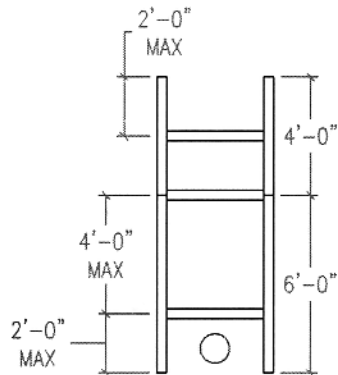
(1) 4'-0" PIECE  
 4' TRENCH



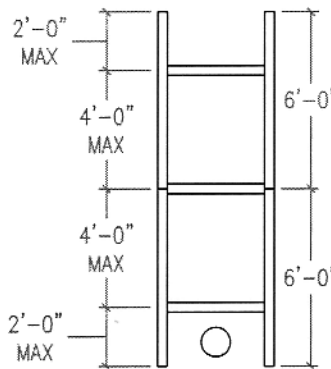
(1) 6'-0" PIECE  
 6' TRENCH



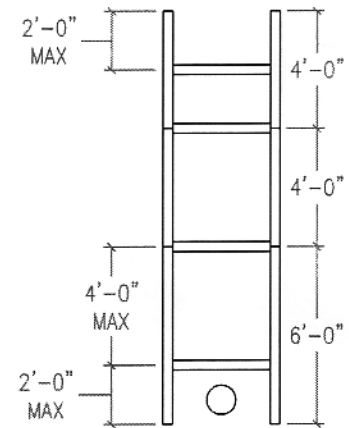
(2) 4'-0" PIECES  
 8' TRENCH



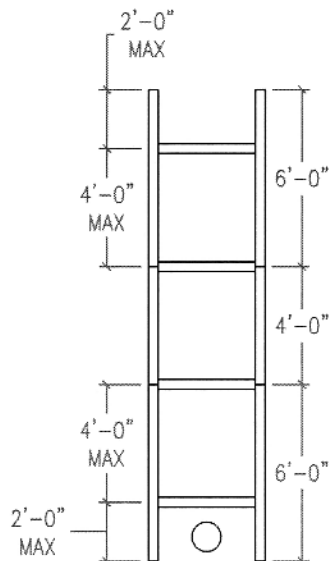
(1) 6'-0", (1) 4'-0" PIECES  
 10' TRENCH



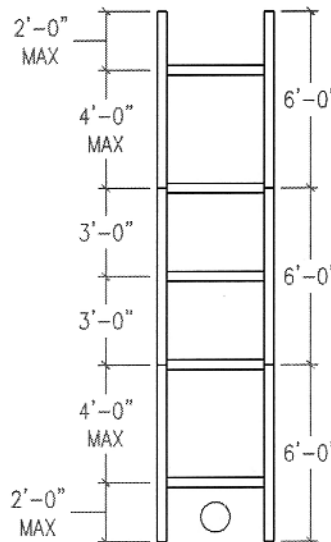
(2) 6'-0" PIECES  
 12' TRENCH



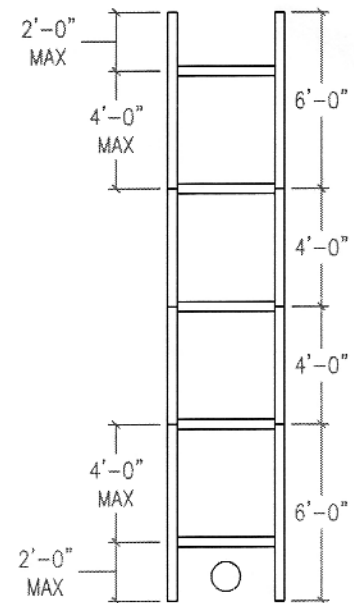
(1) 6'-0", (2) 4'-0" PIECES  
 14' TRENCH



(2) 6'-0", (1) 4'-0" PIECES  
 16' TRENCH



(3) 6'-0" PIECES  
 18' TRENCH



(2) 6'-0", (2) 4'-0" PIECES  
 20' TRENCH

DRAWING NO. DL-101