

# SLIDE RAIL SHEETING

Systems

Roller Rail *Roller Rail Design*



THE ICON GROUP



**The ICON GROUP**  
Corporate Headquarters 800 836 5011  
300 Ryders Lane East Brunswick, NJ 08816 e-mail iconshor@iconjds.com  
fax 732 254 0101  
www.iconjds.com



SALES SUPPORT DEPARTMENT: 1-800-836-5011 fax 1-732-254-0101

E-mail: [iconshor@iconjds.com](mailto:iconshor@iconjds.com)

## Slide Rail Sheeting Systems - Roller Rail

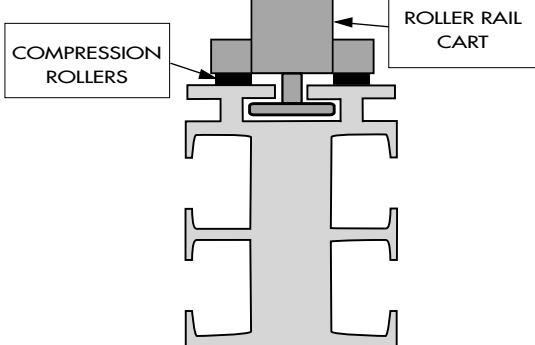
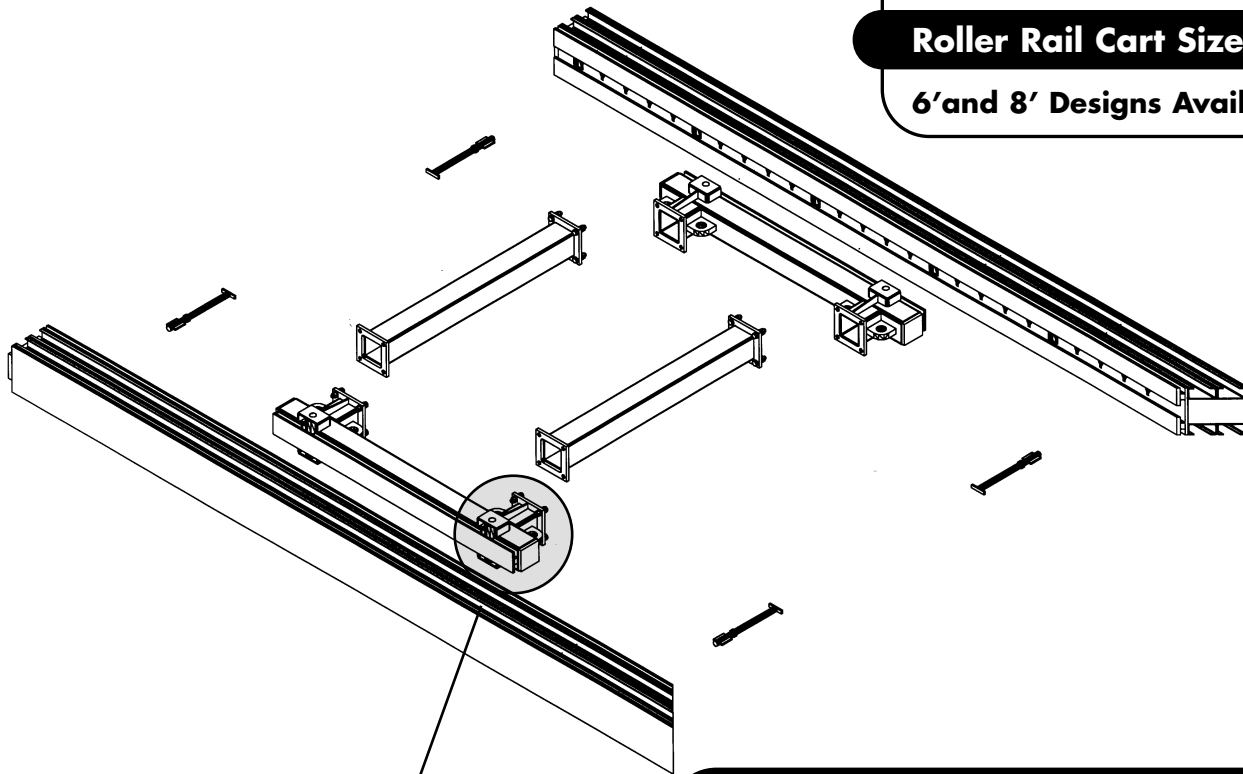
### Roller Rail Design

#### Rail Sizes:

14.76', 18.04' and 22.00' Available

#### Roller Rail Cart Sizes:

6' and 8' Designs Available



### System Benefits

ICON's Roller Rails are over 200% stronger than our standard double slide configuration. This allows greater versatility using longer plates in deeper excavations in the same soil conditions

- Impact Design for greater durability
- Hi-grade steel with strategically reinforced wear points
- Full depth rail configuration allows ICON's lining plates with wheels or the competition's wheel-less lighter duty plates to interlock
- Roller rail assembly designed to accept ICON's standard 8x8 heavy duty braces
- Superior section modulus provides the strongest rail in the industry with the largest cantilevers for big pipe and structures

#### The ICON Group • Branch Offices

##### Maryland Regional Office

11550 East Maple Avenue • Beltsville, MD • 20705-1695  
800 429 4266

##### New England Regional Office

28 Wales Street • Millbury, MA 01527  
800 724 6241